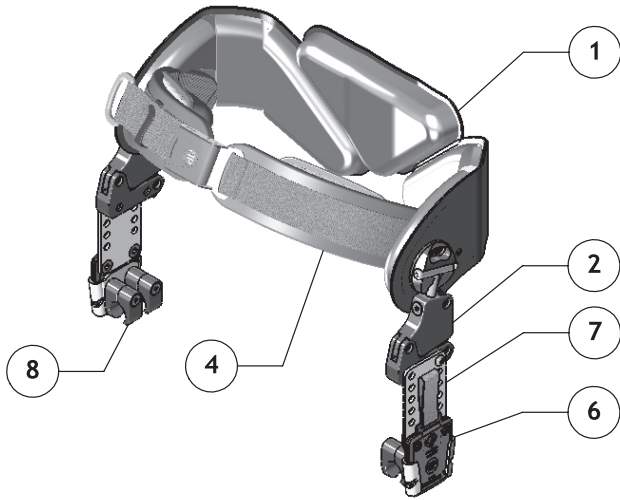




# HIP GRIP ORDER FORM



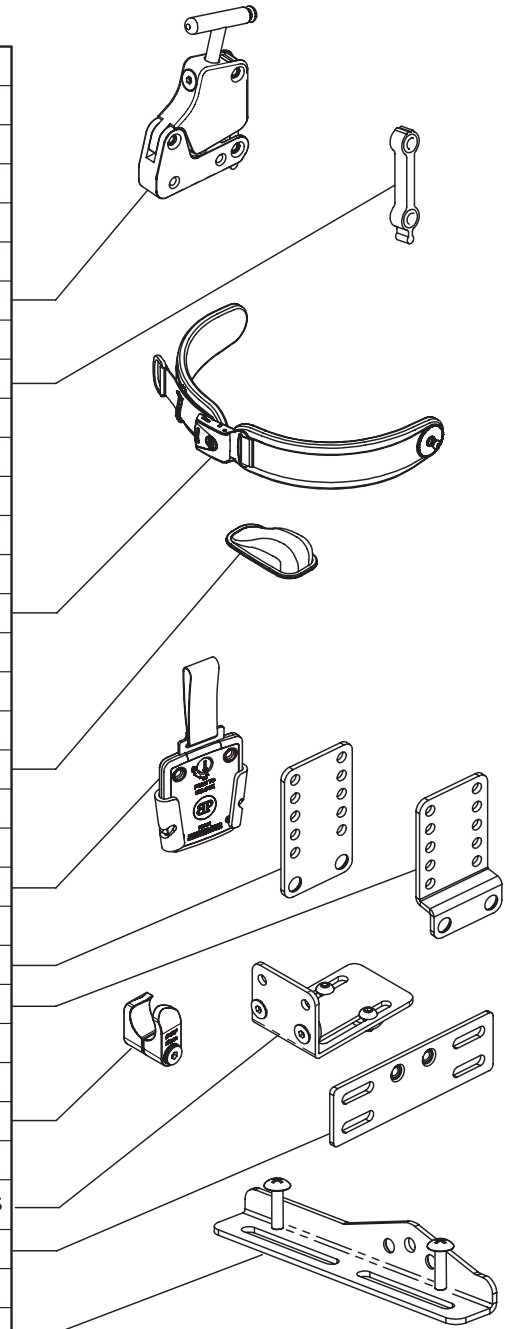
Customer \_\_\_\_\_

Order Number \_\_\_\_\_

PO Number \_\_\_\_\_

Date \_\_\_\_\_

✓	ITEM	DESCRIPTION
1	<b>PAD SET</b>	
	HG2-S	Small 21-21cm (8.25-10.5in)
	HG2-M	Medium 28-33cm (11-13in)
	HG2-L	Large 36-41cm (14-16in)
2	<b>PIVOT BRACKET</b>	2 each per kit
	HG2-30-2	Pivot Bracket Assembly
3	<b>TENSION SPRINGS</b>	2 each per kit
	HG1-05-2	Light
	HG1-06-2	Medium (included in HG2-30-2)
	HG1-07-2	Heavy
4	<b>PIVOT MOUNT BELT</b>	
	SB235XS	X-Small, Push Button 33-46cm (13-18in)
	SB235S	Small, Push Button 41-54cm (16-21in)
	SB225M	Medium, Rehab Latch 41-54cm (16-21in)
	SB225L	Large, Rehab Latch 51-64cm (20-25in)
	SB225XL	X-Large, Rehab Latch 61-74cm (24-29in)
5	<b>SUB-ASIS PADS</b>	2 each per kit
	PD402-2	Small, 9.8cm (3 7/8in) use with SB235XX
	PD401-2	Large, 12cm (4 5/8in) use with SB225XX
6	<b>QUICK RELEASE</b>	2 each per kit
	HW311-2	Do not use with HG1-16 KIT
7	<b>ADAPTER PLATES</b>	2 each per kit
	HG1-10-2	Flat, Multi Hole
	HG1-12-2	13mm (1/2in) Offset
	HG1-14-2	25mm (1in) Offset per side
8	<b>FRAME HARDWARE</b>	
	HW310-22-A-4	Frame Clamp, 22mm (7/8in) (4 each)
	HW310-25-A-4	Frame Clamp, 25mm (1 in) (4 each)
	HG1-16KIT	Mounting Brkt Kit, L-Shaped, with fasteners
	HG1-17-2	Spreader Plate 13cm (5in) (2 each)
	HG1-60-2	Spreader Plate 13cm (6in) (2 each)
	HW312-KIT	Seat Tube Mounting Bracket Kit, with fasteners
9	BPI083	Hip Grip Instruction Kit



doc no. **BPI081** rev. **2011.3**