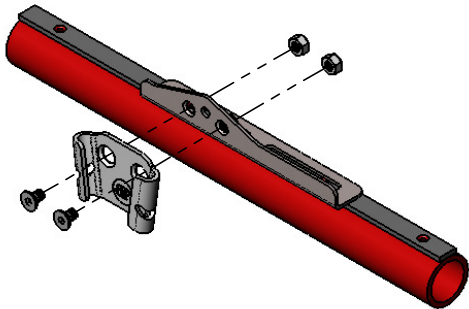
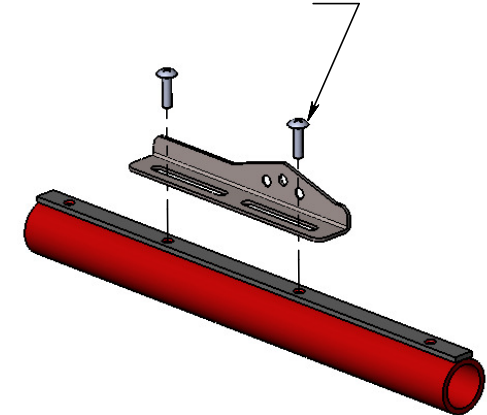


APPLICATION 1
INSTALLING BELT END-FITTINGS TO SEAT TUBE

- 1x END-FITTING (CINCH-MOUNT™ OR FLAT-MOUNT™)
- 1x FA079 SCREW (M6 X 10 BHCS)
- 1x FA077 NUT (M6 NYLOCK)

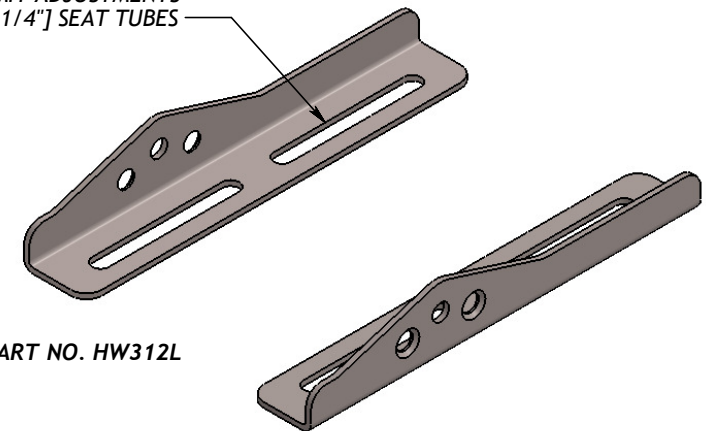
2X FA161 SCREW (10-32 X 3/4" TRUSS HEAD)
NOTE: FITS BOTH 10-32UNF AND M5 HOLES



APPLICATION 2
INSTALLING HIP GRIP® QUICK-RELEASE RECEIVER TO SEAT TUBE

- 1x HW311-02 QUICK-RELEASE RECEIVER
- 2x FA072 SCREW (M6 X 10 FHCS)
- 2x FA077 NUT (M6 NYLOCK)

WIDE SLOTS PERMIT ADJUSTMENTS
FOR 25 - 32mm [1 - 1-1/4"] SEAT TUBES

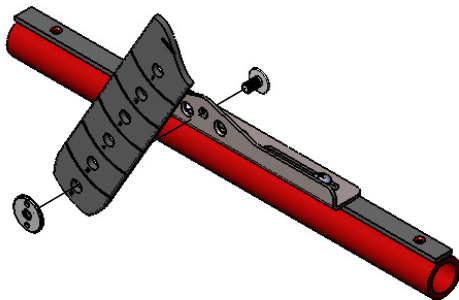


PART NO. HW312L

PART NO. HW312R

APPLICATION 3
INSTALLING EVOFLEX™ BELT

USE LOW-PROFILE M6 FLANGE NUT AND SCREW
PROVIDED WITH BELT



NOTE: "RIGHT" AND "LEFT" HAND BRACKET MAY BE SWAPPED TO
ACHIEVE NEARLY ANY POSITION ALONG A WHEELCHAIR FRAME

PART NO. HW312-KIT (INCLUDES HW312L, HW312R, FA161 SCREWS)

description			
SEAT TUBE MOUNTING BRACKETS			
drawing no.	date originated	drawn by	rev.
D09-0406-01	4/6/2009	M. KOSH	C