

SB2 TubBuddy

Dignity + Ease + Comfort

The TubBuddy is an ergonomic bathing transfer system designed to allow a user to safely transfer over a bath tub without committing to any costly bathroom remodeling. The TubBuddy is also capable of rolling over standard and elongated toilets to be used as a commode. The TubBuddy eliminates unnecessary transfers between toileting and bathing making it comfortable for both user and caregiver, meanwhile reducing costs and contributing to good user hygiene.

Product features include:

- 300 lb. weight capacity
- Tapered cushion with tailbone recess
- Rolls over standard / elongated toilets
- Low maintenance
- Removable / lockable / foldaway arms
- Height adjustable
- Safety mechanisms
- Full aluminum frame (Grade 6061 T6)
- Stainless steel hardware (Grade 304)
- Fold up footrest on rolling and bath base
- Lap / chest belts
- 5" locking castors
- Commode system
- Tool-less assembly



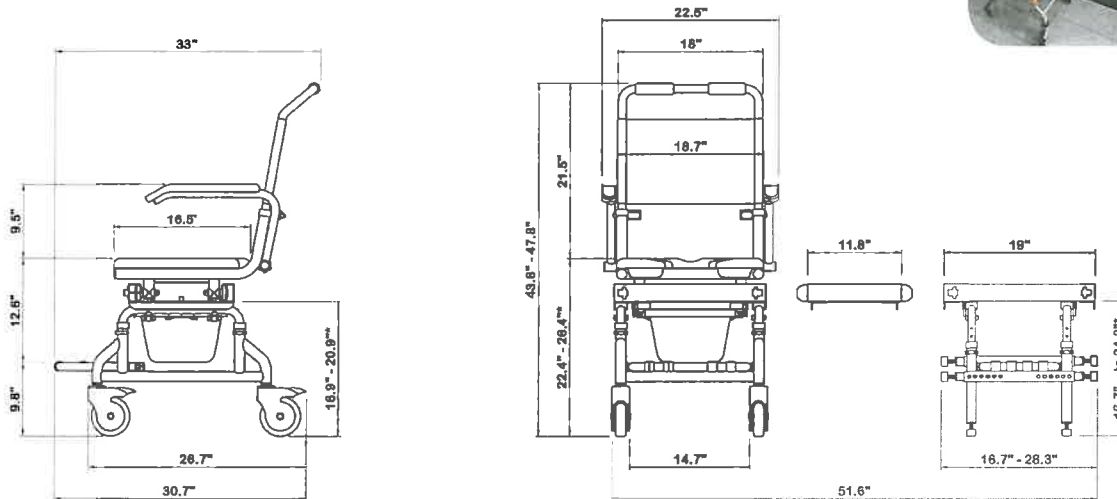
Advanced Health Care Products G.P.
T: 1-800-265-9830 F: 1-877-636-8944 2221- 46th Ave., Lachine, Quebec H8T 3C9
www.advancedhealthcare.ca

SB2 TubBuddy Dimensions:

- Rolling Base	19.3" W x 26.7" D
- Rolling Base with Footrest	19.3" W x 30.7" D
- Back Width	18"
- Back Rest Height from Seat	17"
- Max Toilet Height Clearance	19.4"
- Bridge Length (Standard)	11.8" (Custom lengths are available)
- Inside Arm to Arm Width	18.7"
- Outside Arm to Arm Width	22.5"
- Seat Dimensions	17.7" W x 16.5" D
- Seat Height from Floor	22.4" - 26.4" (Adjustable)*
- Tub Base (At Top)	13" W x 19" D
- Tub Base (At Bottom)	20.7" W x 16.7" D (Adjustable to 28.3")
- Seat Hole	6.8" W x 13" L

Accessory items include:

- Solid overlay cushion
- Extension legs for Rolling base (RBE24)
- Extension legs for Tub base (TBE24)
- Neck rest (Requires 2 holes to be drilled)



* Accessory RBE24 and TBE24 can be used to increase these heights



Advanced Health Care Products G.P.
 T: 1-800-265-9830 F: 1-877-636-8944 2221- 46th Ave., Lachine, Quebec H8T 3C9
www.advancedhealthcare.ca