

# SB2T

## TubBuddy + Tilt

Dignity + Ease + Comfort

The TubBuddy Tilt is an ergonomic bathing transfer system which carries one special feature that the original TubBuddy does not. The unit allows for safe and easy transfer over and out of the bath tub incorporating a tilt option. The tilt option allows the caregiver to relieve pressure for the user while simultaneously making it easier to bathe the user. The tilt option alleviates caregiver strain by allowing the user to slide over the bath tub without having to lift their legs.

### Product features include:

- 300 lb. weight capacity
- Tapered cushion with tailbone recess
- Rolls over standard / elongated toilets
- Low maintenance
- Removable / lockable / foldaway arms
- Height adjustable
- Safety mechanisms
- Removable / swing away footrests
- Full aluminum frame (Grade 6061 T6)
- Stainless steel hardware (Grade 304)
- Lap / chest belts / calf strap
- 5" locking castors
- Commode system
- Adjustable neck rest
- Tool-less assembly



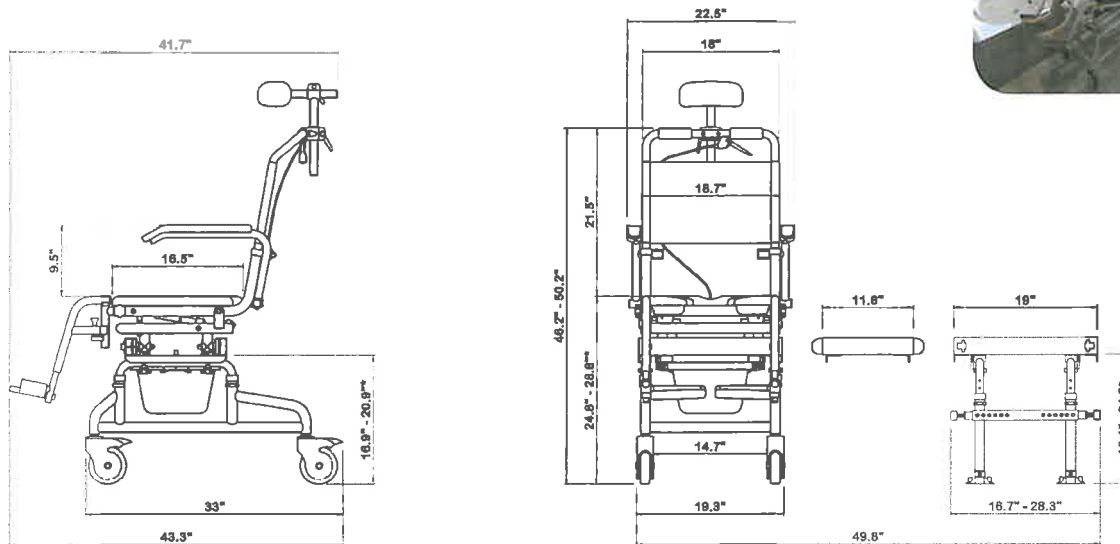
Advanced Health Care Products G.P.  
T: 1-800-265-9830 F: 1-877-636-8944 2221- 46th Ave., Lachine, Quebec H8T 3C9  
[www.advancedhealthcare.ca](http://www.advancedhealthcare.ca)

## SB2T TubBuddy + Tilt Dimensions:

- Rolling Base	19.3" W x 33" D
- Rolling Base with Footrest	19.3" W x 43.3" D
- Back Width	18"
- Back Rest Height from Seat	17"
- Max Toilet Height Clearance	19.4"
- Bridge Length (Standard)	11.8" (Custom lengths are available)
- Inside Arm to Arm Width	18.7"
- Outside Arm to Arm Width	22.5"
- Seat Dimensions	17.7" W x 16.5" D
- Seat Height from Floor	24.8" - 28.8" (Adjustable)*
- Tub Base (At Top)	13" W x 19" D
- Tub Base (At Bottom)	30" W x 16.7" D (Adjustable to 28.3")
- Seat Hole	6.8" W x 13" L

### Accessory items include:

- Solid overlay cushion
- Extension legs for Rolling base (RBE24)
- Extension legs for Tub base (TBE24)



\* Accessory RBE24 and TBE24 can be used to increase these heights



Advanced Health Care Products G.P.  
 T: 1-800-265-9830 F: 1-877-636-8944 2221- 46th Ave., Lachine, Quebec H8T 3C9  
[www.advancedhealthcare.ca](http://www.advancedhealthcare.ca)