

SB3T

Roll-InBuddy + Tilt

The revolutionary tilt option incorporated into the Roll-InBuddy Tilt allows for pressure release as well as a more thorough bathing experience for the user and easier reach for the caregiver. The Roll-InBuddy Tilt incorporates all the same safety features and corrosion resistant materials standard to all ShowerBuddy products. The Roll-InBuddy Tilt is lightweight, durable and easy to use.

Product features include:

- 300 lb. weight capacity
- Tapered cushion with tailbone recess
- Adjustable tilt angle from 0 - 30 degrees
- Rolls over standard / elongated toilets
- Low maintenance
- Removable / lockable / foldaway arms
- Height adjustable
- Safety mechanisms
- Removable / swing away footrests
- Full aluminum frame (Grade 6061 T6)
- Stainless steel hardware (Grade 304)
- Lap / chest belts / calf strap
- 5" locking castors
- Commode system
- Adjustable neck rest
- Tool-less assembly

Dignity + Ease + Comfort



Advanced Health Care Products G.P.
T: 1-800-265-9830 F: 1-877-636-8944 2221- 46th Ave., Lachine, Quebec H8T 3C9
www.advancedhealthcare.ca

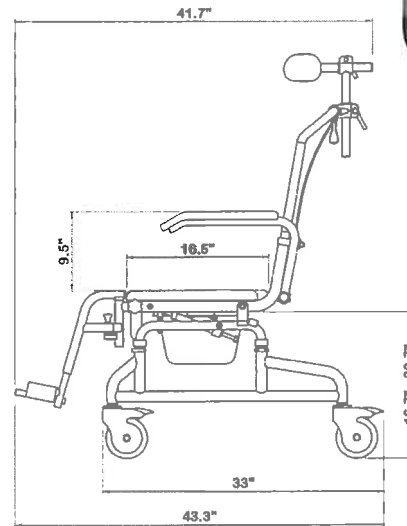
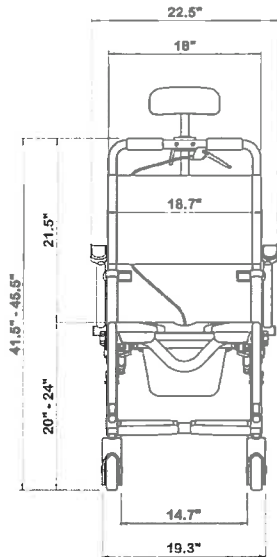
SB3T Roll-InBuddy + Tilt Dimensions:

- Rolling Base 19.3" W x 33" D
- Rolling Base with Footrest 19.3" W x 43.3" D
- Back Width 18"
- Back Rest Height from Seat 17"
- Max Toilet Height Clearance 20.7"*
- Inside Arm to Arm Width 18.7"
- Outside Arm to Arm Width 22.5"
- Seat Dimensions 17.7" W x 16.5" D
- Seat Height from Floor 20" - 24" (Adjustable)
- Seat Hole 6.8" W x 13" L

Accessory items include:

- Solid overlay cushion for use as Porter chair

*To clear some toilets the chair may need to be raised from the lowest setting. The struts which control the tilting function may restrict the maximum toilet clearance on some toilet types to 465mm.



Advanced Health Care Products G.P.
 T: 1-800-265-9830 F: 1-877-636-8944 2221- 46th Ave., Lachine, Quebec H8T 3C9
www.advancedhealthcare.ca